

FLUXX®-Degassing Inserts F15, F17 and F38

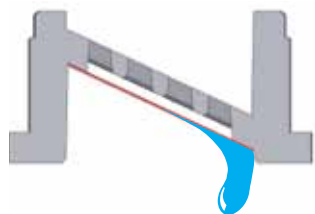
FLUXX®-Degassing Inserts with TRAKETCH®-Membranes for pressure release in standardized industrial containers e.g. bottles, canisters, barrels.

TRAKETCH®-Membranes

TRAKETCH®-Membranes have hydrophobic and oleophobic properties and provide excellent chemical stability. They are manufactured to prevent wetting even by fluids with a very low surface tension. They remain „breathable“ at all times.

Drip-off Edge

The patented degassing insert allows all liquids to rinse off immediately and prevent the membrane from jamming.



Declaration of Conformity

All components used in the production process are uncritically in regards to Comission Directive 2002/72/EC, the Comission Regulation (EU) No 10/2011, the Regulation (EC) No 1935/2004 and the German „Lebensmittel- und Futtermittel Gesetzbuch (LFBG)“ and the FDA title 21 Code of Federal Regulations (CFR) parts 177.1520, 177.1550, 177.1630 and 178.2010.

Dangerous Goods Approval

FLUXX® - Degassing Inserts have consistently demonstrated compliance with UN, DOT and ADR test standards for dangerous goods applications.

How it works

without
Degassing



with FLUXX®
Degassing



without
Degassing

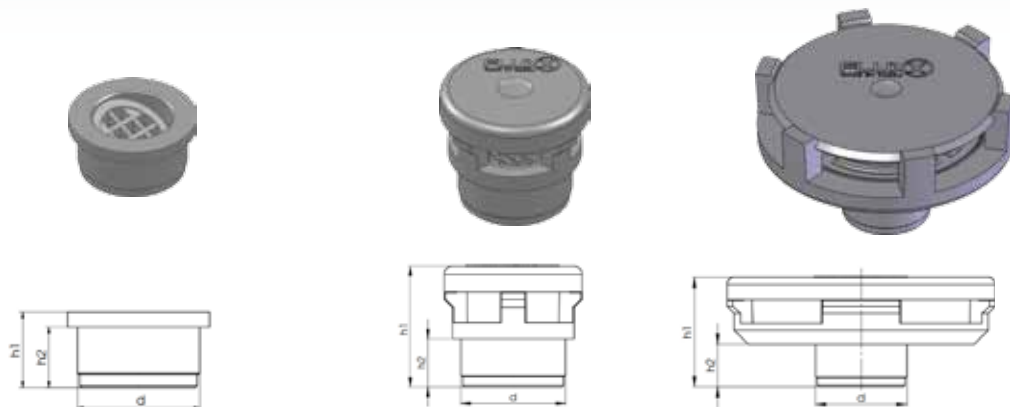


Benefits

- Drip-off edge
- Continuous pressure release
- Prevent swelling, bursting or collapsing of containers
- Allow quick re-ventilation after contact with fluids
- Provide a reliable protection against leaks
- Easy to install
- Approved for food contact
- Compliance with UN, DOT and ADR standards

Applications

- Industrial chemicals
- Bleaches
- Peroxides
- Fertilisers
- Swimming pool chemicals
- Pesticides
- Sterilisers
- Disinfectants



Product	F15	F17	F38
Diameter	15 mm	17 mm	38 mm
h1	7.5 mm	15.0 mm	22.0 mm
h2	6.0 mm	6.0 mm	12.0 +/- 0.2 mm
d	13.0 +/- 0.1 mm	13.0 +/- 0.1 mm	13.0 +/- 0.1 mm
Water entry pressure	≥ 0.69 bar	≥ 0.69 bar	≥ 0.69 bar
Typical airflow	5.0 l/h at 12 mbar	5.0 l/h at 12 mbar	70 l/h at 12 mbar
Typical applications	2-60 liters	2-60 liters	60-1,500 liters

Chemical Resistance

Acetic Acid, Boric Acid, Citric Acid, Formic Acid, Hydrochloric Acid Con., Hydrochloric Acid 6N, Hydrofluoric Acid, Nitric Acid Con., Nitric Acid 6N, Sulfuric Acid Con., Amyl Alcohol, Benzyl Alcohol, Butyl Alcohol, Ethyl Alcohol, Isobutyl Alcohol, Methanol, Formaldehyde, Benzaldehyde, Diethylacetamide, Dimethylformamide, Ammonium Hydroxide 6N, Sodium Hydroxide, Amyl Acetate, Ethyl Acetate, Isopropyl Acetate, Dioxane, Tetrahydrofuran, Butyl Chloride, Carbon Tetrachloride, Chlorobenzene, Chloroform, Benzene, Gasoline, Hexane, Kerosene, Pentane, Phenol, Toluene, Xylene, Acetone, Cyclohexanone, Methyl Ethyl Ketone, Methyl Isobutyl Ketone, Ethylene Glycol, Glycerol, Acetonitrile, Ammonia, Chlorine, Cresol, Detergents & Soaps, DMSO, Freon® TF, Hydrogen Peroxide, Nitrobenzene, Petroleum Base Oils, Pyridine, Silicone Oils, Sodium Hypochloride (Bleach), Water.

Please contact us for additional details

Material

Plastic component: Polyethylene (HDPE)
 TRAKETCH®-Membrane: Polytetrafluorethylene (PTFE)

Please note

We can not guarantee comprehensive chemical resistance for specific applications. We recommend testing of actual application prior to use.

Please contact our technical service for any further questions.

SABEU GmbH & Co. KG

ALTENLOH, BRINCK & CO - GROUP

Hirschberger Straße 1 · 37154 Northeim · Germany
 Tel.: +49 (0) 5551 9778-0 · Fax: +49 (0) 5551 9778-12